

QTERM®-IV

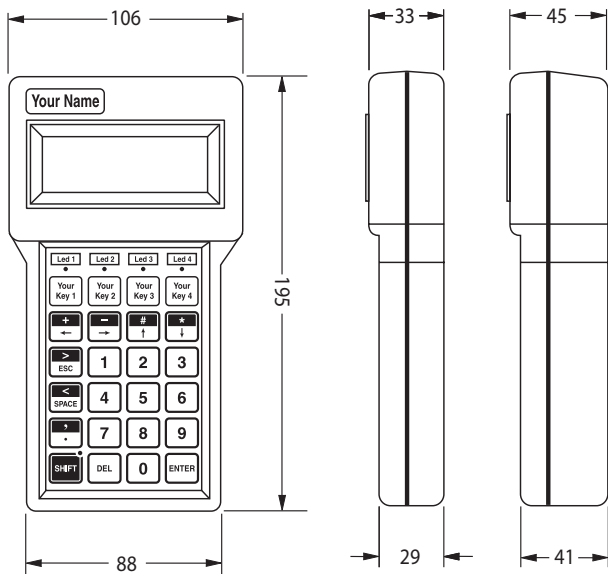
Rugged Handheld or Panel-Mount Character Terminal

QSI The QTERM-IV is a rugged, handheld or panel-mount character human machine interface terminal featuring a Supertwist, 20x4 character LCD display. The QTERM-IV can operate in full-duplex, block or multidrop mode.

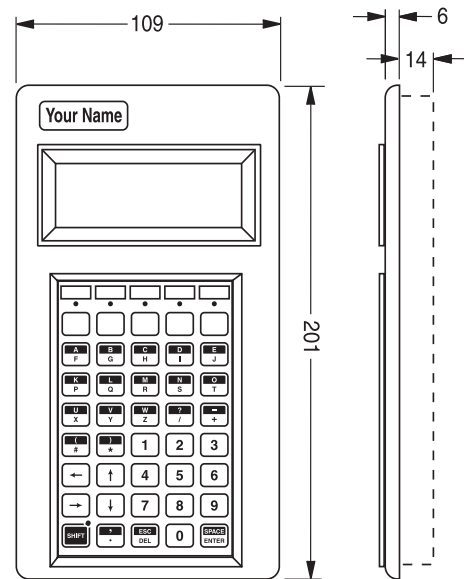


Product Highlights

- ▶ Supertwist, 20x4 character, LCD display
- ▶ Handheld or Panel-mount housing
- ▶ Choice of 24- or 40-key steel snap domes
- ▶ NEMA-12/13 rated and CE Certified
- ▶ Optional serial EIA-485



QTERM-IV handheld dimensions (mm) shown with a 24-key keypad.



QTERM-IV panel-mount dimensions (mm) shown with a 40-key keypad.

Dimensions shown in mm.

QTERM-IV Specifications

Feature	Detail	Description	
Display	Type	Supertwist LCD	
	Characters	20x4	
	Options	Lighted, wide-temperature, and vacuum-fluorescent display	
Keypad	Number of Keys	24-key standard, 40-key optional	
	Construction	Steel snap domes in membrane, 4 or 5 programmable LEDs, Power and Shift LEDs	
	Options	Electroluminescent lighting, prototype and custom legends available	
Interface	Serial	EIA-232, EIA-422, 5-volt Buffered, EIA-485 or EIA-422m; optional EIA-232	
	Connectors	Handheld	6-pin modular jack standard, DB9 optional
		Panel-mount	DB9f or 2 mm optional 6-pin modular standard
Memory	RAM	20 kb nonvolatile memory for user data (5 kb for -422m/-485)	
Audio	Type	Piezo-electric buzzer for key clicks and "bell" character response from host	
Power	Input	4.8 to 5.5 VDC supply without regulator; 5.5 to 24 VDC supply with optional regulator	
	Consumption	18 mA @ 5 VDC (typical) lighting off, 113 mA @ 5 VDC (max) lighting on	
	Battery (optional)	Back (accepts six "AA" alkaline batteries) for up to 190 hours of portable operation)	
Mechanical	Type	Handheld or Panel-mount	
	Size	Handheld: 106 (W) x 195 (H) x 33 (D) mm; Panel-mount: 109 (W) x 201 (H) x 20 (D) mm	
	Mass	Handheld: 296 g (500 g with optional battery back); Panel-mount: 192 g	
	Housing Material	Impact-resistant black ABS, UL 94V-0 flame rating	
	Colors	Custom case colors are available in larger quantities	

Environmental	Sealing - Front Panel	Meets NEMA-12/13 level protection
	Temperature	Operating: -10 to 60 °C (Standard Display), -20 to 70 °C (Wide Temp Display); Storage: -40 to 85 °C
	Humidity	0 to 95%, non-condensing
Certifications	CE	EN50082-1:1992, EN55022:1987, EN60950 amendments 1, 2 and 3
	EMC	FCC Part 15, Class A

Software		Communication with ASCII serial. VT52 emulation.
Other		Optional E-stop or Deadman switch (handheld only)



US Office

Beijer Electronics, Inc.
2212 South West Temple #50
Salt Lake City, Utah 84115-2648 USA

www.BeijerElectronicsInc.com / 801-466-8770

Headquarters

Beijer Electronics Products AB
P.O. Box 426
201 24 Malmö, Sweden

www.BeijerElectronics.com / +46 40 35 86 00

M01-022-00 REV 04
19 MAY 2011

Copyright © 2011 Beijer Electronics. All rights reserved.

The information at hand is provided as available at the time of printing. Beijer Electronics reserves the right to change any information without updating this publication. Beijer Electronics does not assume any responsibility for any errors or omissions in this publication.